

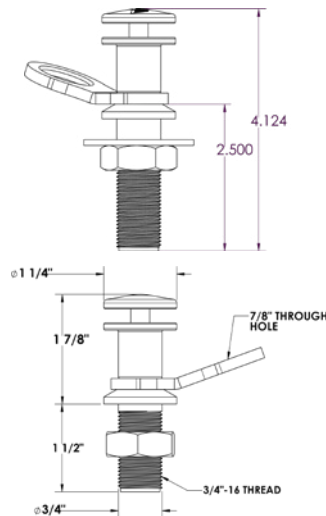
# NEW! QUICK PIN CLEATS

## Features:(Long & Short Base Versions)

- Install your fenders in one quick click
- Electropolished for corrosion resistance
- Type 316L stainless steel
- Soft-tip, won't scratch the gel coat
- Tested to 1,500+ lbs pull out force
- Made in the USA
- Private Labeling Available



**PART NUMBER: #QRFPA**

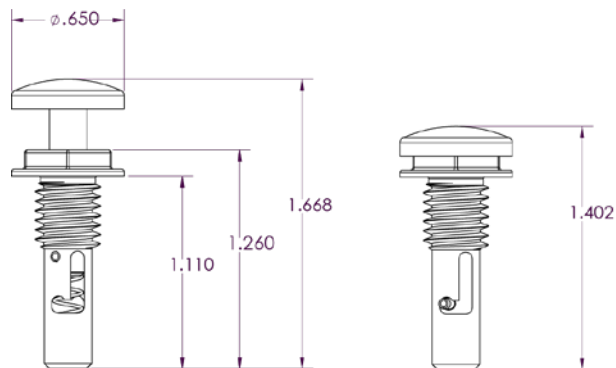
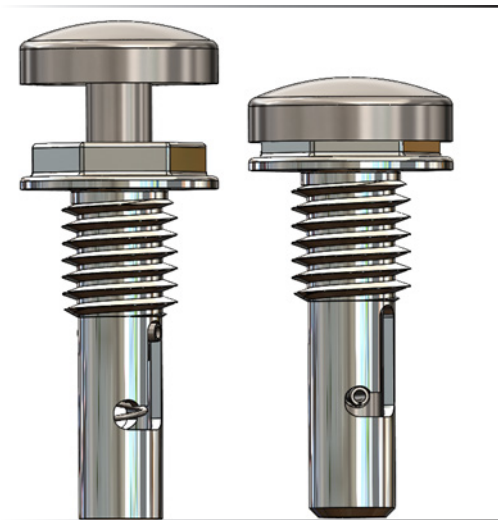


Complete Assembly		
Part Number	Type	Overall Length
QRFPA	Short Shaft	3 3/8"
QRFPA225	Long Shaft	4 1/8"
Base Only		
Part Number	Type	Dimensions
QRFPB	Base Only	1 1/2"
QRFPB225	Base Only	2 1/4"
Top Only		
Part Number	Type	Dimensions
QRFPT	Top Only(Top Fits Both Bases)	

# Canvas Bungee Pop-Up Cleats

## FEATURES:

- Great for use with bungee style boat covers
- Strong and durable electropolished 316 SS construction
- Low profile smooth finish prevents clothing snags or scratches when brushed against
- Push in and twist left to extend the cleat. Whereas, pushing in and twisting right returns the cleat in its recessed and secured position
- Threads directly in Fiberglass or wood
- Many other uses
- Made in the USA



Cleat	
Part Number	Type
PUBC	Pop-Up Bungee Cleat