

PowerBase Series

The Intelligent, Automated Folding Light & Antenna

Why PowerBase?

PowerBase easily stows and deploys lights and antennas with the push of a button

PowerBase is the only intelligent light/antenna with Object Detection Technology

- **SafeGuard Breakaway** – In the event of an impact, PowerBase will safely return to stowed position preventing potential damage to fiberglass top.
- **SmartDeploy Backdrive** – In the event of a blocked deployment, PowerBase senses an obstruction and reverses the light/antenna back to its starting position.

PowerBase is designed for worry-free installation and operation from assembly line to marina

- Standardized mounting patterns allow for upgradeability.
- Intuitive control without switch limitations.

PowerBase is compatible/built with the leading industry equipment

- For use with antennas up to 8 ft. in length (PowerBase Antenna).
- Available in Masthead and All-Round configurations featuring Attwood's LightArmor LED Technology (PowerBase Light).

NEW PRODUCT



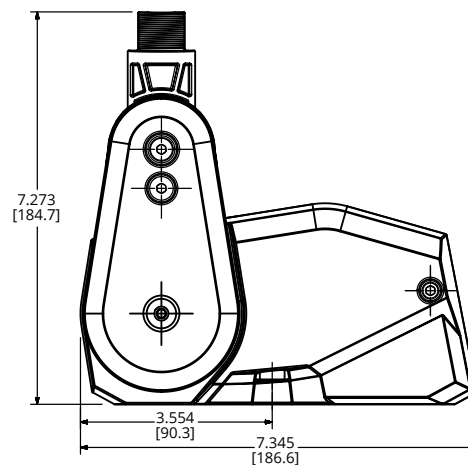
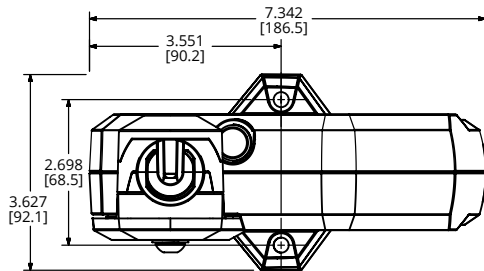
Key Product Features

- 1 Powered Fold-Down Control At the Helm:** Easily fold down navigation lights and antennas without needing to dangerously climb seats, ladders, or gunwales.
- 2 SafeGuard Breakaway:** Keep peace of mind knowing that upon impact with a bridge or branch, unit will breakaway, preventing damage to your light, antenna, and hard-top.
- 3 SmartDeploy Backdrive:** Deploy lights and antennas without worry as the unit senses obstructions and automatically retracts – all the while notifying you of the obstruction.
- 4 Intuitive Control Without Switch Limitations:** Simplistic control scheme ensures boaters are always kept in control, without forcing proprietary switches.
- 5 Visual System State Feedback:** LED Feedback makes boaters aware of failures to ensure that they're always compliant, even if there is a mechanical/electronic failure on the vessel.
- 6 Uses Existing Standardized Mounting Patterns:** Ensures builders and boaters alike can utilize existing tooling to replace current manual fixtures.
- 7 Follows Existing Wiring Paths:** Wiring follows path of existing manual fold-down lights to the digital/analog switch for feedback and control.
- 8 Manual Adjustment Failsafe:** Easy to use manual override ensures boaters can always deploy lights in the event of system failure.
- 9 180° Range of Motion:** PowerBase may be mounted so that the light/antenna folds toward a boat's stern or bow.



	PowerBase Antenna	PowerBase Light	LightArmor All-Round Navigation Light	LightArmor Masthead/Anchor Navigation Light
Part #	6100-AT-1	6100-LT-1	24" 5590-24-1 30" 5590-30-1 36" 5590-36-1 42" 5590-42-1	12" 7800-12-1 24" 7800-24-1 36" 7800-36-1 42" 7800-42-1
Compatibility	Compatible with all leading 1-1/4" threaded VHF Antennas (8ft or less length)	Compatible with Attwood LightArmor LED All-Round and Masthead Nav Lights	For powered vessels under 39.4'	For powered vessels between 39.5'-65'
Key Features	<p>SafeGuard Breakaway – In the event of an impact, unit will safely breakaway to protect light, antenna, and costly hardtop damage.</p> <p>SmartDeploy Backdrive – In the event of an obstruction, PowerBase will intelligently return to previous position while informing the user of the obstructed movement.</p>		<p>LightArmor LED – See and be seen with industry leading Navigation Technology, rated for 50,000+ hours of usage.</p> <p>The Perfect Fit, Every Time – LightArmor Navigation Lights are easily installed and fully compatible with all PowerBase Light models.</p>	

Mounting Pattern Compatibility/ Attachment Options:



* Dimensions: Inches are listed first, followed by millimeters.